

Fig. 2

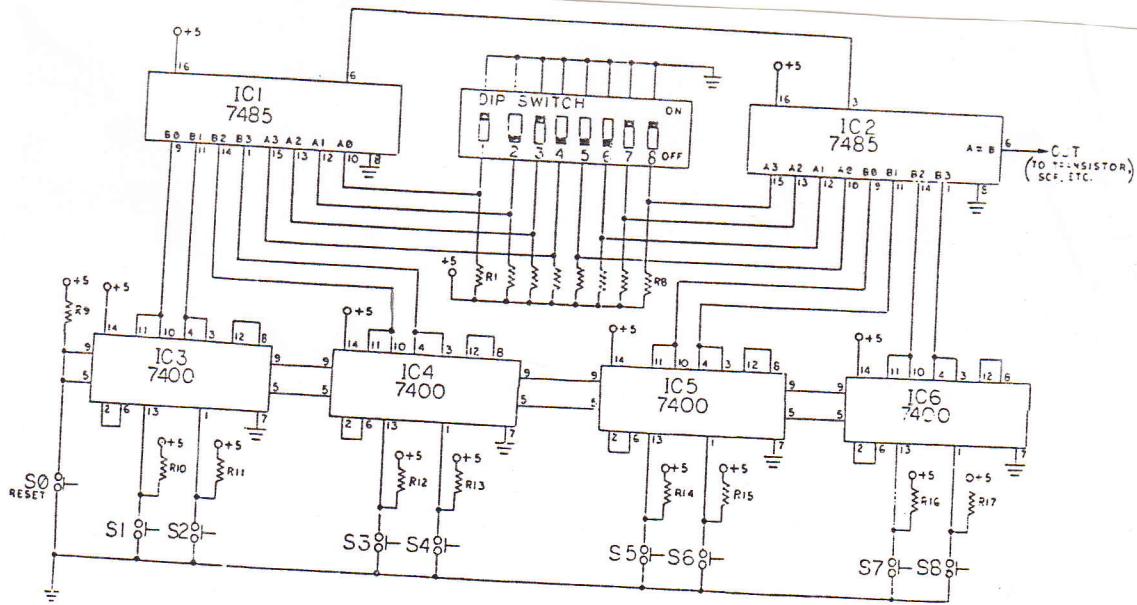


FIG. 1

PROJECT: ELECTRONIC
COMBINATION LOCK
DRAWN BY: ROGER D. SCLERA
DATE: 2-19-69